

CurrentGuard™ 150 Plus

Extra Features



SYSTEM FEATURES

- Innovative Z-Path System™ ensures equal current sharing, increased reliability and maximum performance
- **Individually fused MOVs provide superior protection and continuous operation**
- Thermal disconnects protect against sustained over-voltage event
- 200kAIC short circuit current rating allows direct bus connection without the need of an upstream over-current protection device
- NEMA LS1 compliance – single pulse tested at nationally recognized 3rd party lab
- **Includes best-in-class UL 1283 listed enhanced EMI/RFI filter**
- All modes of protection (L-N, L-G, N-G & L-L)
- Form C contacts and audible alarm with silence button – standard
- **Surge event counter – standard**
- DTS-2 compatible for “pro-active” testing
- Ultra compact steel NEMA 4 enclosure makes installation flexible
- **10-Year standard product warranty**

MODEL NUMBER SCHEME

E.g. MODEL # CGP150 - 277/480-3GY

A B

A – SURGE RATING (Must Choose One)

60	60kA per mode
80	80kA per mode
100	100kA per mode
150	150kA per mode
200	200kA per mode

B – VOLTAGE (Must Choose One)

120/240-2G	120/240V, 1-Phase, 3-Wire + Ground
120/208-3GY	120/208V, 3-Phase WYE, 4-Wire + Ground
220/380-3GY	220/380V, 3-Phase WYE, 4-Wire + Ground
277/480-3GY	277/480V, 3-Phase WYE, 4-Wire + Ground
347/600-3GY	347/600V, 3-Phase WYE, 4-Wire + Ground
120/240-3GHD	120/240V, 3-Phase High-Leg DELTA, 4-Wire + Ground (B Phase must be 208V)
240-3DG	240V, 3-Phase DELTA, 3-Wire + Ground
380-3DG	380V, 3-Phase DELTA, 3-Wire + Ground
480-3DG	480V, 3-Phase DELTA, 3-Wire + Ground
600-3DG	600V, 3-Phase DELTA, 3-Wire + Ground

STAND-ALONE OPTIONS (To Be Ordered As A Separate Item)

DTS	DTS-2 Diagnostic Test Set
-----	---------------------------

PRODUCT SPECIFICATIONS

General Specifications

Maximum Surge Current Rating:	150kA per mode; 300kA per phase
Repetitive Surge Current Rating:	5,500 impulses per mode based on actual test data (using ANSI/IEEE C62.41.1-2002 C3 combo. wave)
Product Design:	Hybrid parallel design with individual fused MOVs and UL 1283 listed EMI/RFI filter
Application:	ANSI/IEEE C62.41.1 Locations C, B & A Ideal for service entrance, distribution panels and motor control centers
Regulatory Listing:	UL 1449 Second Edition; cUL UL 1283
Standard Warranty:	10-Year

Electrical Specifications

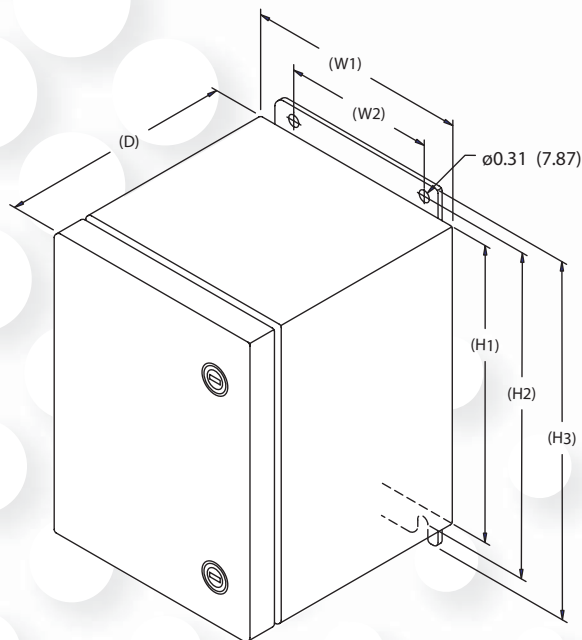
Operating Frequency:	47-63 Hz
Connection Method:	Parallel to electrical distribution system
Modes of Protection:	Discrete protection (L-N, L-G, N-G, & L-L)
Fault Rating (SCCR):	200kAIC – no upstream over-current protection device (breaker or fuse) required
Response Time:	Less than 0.5 nanoseconds
Standard Monitoring:	Status indicator lights (one per phase) Service indicator light Form C contacts (NO/NC) Audible alarm with silence button Surge counter

EMI / RFI Filter Attenuation – Mil Standard 220B

1kHz	10kHz	100kHz	1MHz	10MHz	100MHz	Max. Attenuation Freq.
2 dB	17 dB	40 dB	18 dB	6 dB	1 dB	41 dB @ 106kHz



CurrentGuard™ 150 Plus



DIMENSIONAL SPECIFICATIONS

Dim	CGP150	
H1	14.00	(355.6)
H2	14.75	(374.7)
H3	15.50	(393.7)
W1	12.00	(304.8)
W2	10.00	(254.0)
D	6.20	(157.5)

All measurements in inches (mm)

MECHANICAL SPECIFICATIONS

Enclosure Type:	Powder coated, impact-resistance steel, weather-proof NEMA 4
Installation Location:	Indoor or outdoor
Dimensions:	14"H x 12"W x 6"D
Connection Method:	Hard-wired via internal lugs #10AWG - #3 AWG
Mounting Method:	Dual mounting flanges
Operating Environment:	-40° C to +70° C (-40° F to +158° F) 5% - 95% non-condensing humidity
Weight:	40 lbs. (18.2 kg)

CURRENTGUARD 150 PLUS PERFORMANCE DATA

Model Number	CGP150-120/240-2G CGP150-120/208-3GY				CGP150-220/380-3GY CGP150-277/480-3GY				CGP150-347/600-3GY				CGP150-120/240-3GHD						CGP150-240-3GB		CGP150-380-3GB		CGP150-480-3GB		CGP150-600-3GB				
System Voltage	120/240V 120/208V				220/380V 277/480V				347/600V				120/240V						240V		380V 480V		600V						
Protection Mode	L-N	L-G	L-L	N-G	L-N	L-G	L-L	N-G	L-N	L-G	L-L	N-G	L-N	H-N	L-G	H-G	L-L	H-L	N-G	L-G	L-L	L-G	L-L	L-G	L-L	L-G	L-L		
MCOV	150	150	300	150	320	320	640	320	420	420	840	420	150	320	150	320	300	470	150	320	320	550	550	750	750				
B3 Ring Wave 6kV, 500A	420	480	610	340	660	750	960	720	715	829	1130	670	420	759	470	640	605	800	320	750	630	1050	860	1245	1060				
B3/C1 Combo Wave 6kV, 3kA	642	690	1010	620	910	1068	1700	974	1250	1340	2300	1230	642	910	690	1068	1010	1400	620	940	1020	1450	1670	1960	2260				
C3 Combo Wave 20kV, 10kA	1040	1300	1420	1240	1490	1830	2290	1690	1910	1960	2910	1880	1040	1490	1300	1830	1420	2050	1240	1650	1680	2160	2470	2760	2950				
UL 1449 2nd Edition SVR	400	400	700	400	700	800	1500	800	1000	1200	2000	1000	400	700	400	800	700	1500	400	700	800	1500	1500	1800	1800				

All CurrentGuard™ Plus systems measured limited voltages are peak values (±10%) measured from the zero reference point and are in compliance with test and evaluation procedures outlined in NEMA LS1-1992 (R2000), paragraphs 2.210 and 3.10.

Specifications subject to change without notice, refer to www.currenttechnology.com for latest revision.



By Danaher Power Solutions
5900 Eastport Boulevard Richmond, VA 23231-4453 USA
TEL: 804.236.3300 800.238.5000 FAX: 804.236.4047