

CurrentGuard™ 80 Plus



SYSTEM FEATURES

- Innovative Z-Path System™ ensures equal current sharing, increased reliability and maximum performance
- Extra** • Individually fused MOVs provide superior protection and continuous operation
- Thermal disconnects protect against sustained over-voltage event
- 200kAIC short circuit current rating allows direct bus connection without the need of an upstream over-current protection device
- NEMA LS1 compliance – single pulse tested at nationally recognized 3rd party lab
- Extra** • Includes best-in-class UL 1283 listed enhanced EMI/RFI filter
- All modes of protection (L-N, L-G, N-G & L-L)
- Form C contacts and audible alarm with silence button – standard
- Extra** • Surge event counter – standard
- DTS-2 compatible for “pro-active” testing
- Ultra compact steel NEMA 4 enclosure makes installation flexible
- Extra** • 10-Year standard product warranty

MODEL NUMBER SCHEME

E.g. MODEL # CGP 80 - 120/208 - 3GY

A B

A – SURGE RATING (Must Choose One)

60	60kA per mode
80	80kA per mode
100	100kA per mode
150	150kA per mode
200	200kA per mode

B – VOLTAGE (Must Choose One)

120/240-2G	120/240V, 1-Phase, 3-Wire + Ground
120/208-3GY	120/208V, 3-Phase WYE, 4-Wire + Ground
220/380-3GY	220/380V, 3-Phase WYE, 4-Wire + Ground
277/480-3GY	277/480V, 3-Phase WYE, 4-Wire + Ground
347/600-3GY	347/600V, 3-Phase WYE, 4-Wire + Ground
120/240-3GHD	120/240V, 3-Phase High-Leg DELTA, 4-Wire + Ground (B Phase must be 208V)
240-3DG	240V, 3-Phase DELTA, 3-Wire + Ground
380-3DG	380V, 3-Phase DELTA, 3-Wire + Ground
480-3DG	480V, 3-Phase DELTA, 3-Wire + Ground
600-3DG	600V, 3-Phase DELTA, 3-Wire + Ground

STAND-ALONE OPTIONS (To Be Ordered As A Separate Item)

DTS	DTS-2 Diagnostic Test Set
-----	---------------------------

PRODUCT SPECIFICATIONS

General Specifications

Maximum Surge Current Rating:	80kA per mode; 160kA per phase
Repetitive Surge Current Rating:	4,000 impulses per mode based on actual test data (using ANSI/IEEE C62.41.1-2002 C3 combo. wave)
Product Design:	Hybrid parallel design with individual fused MOVs and UL 1283 listed EMI/RFI filter
Application:	ANSI/IEEE C62.41.1 Locations C, B & A Ideal for distribution panels, motor control centers, branch panels and critical loads
Regulatory Listing:	UL 1449 Second Edition; cUL UL 1283
Standard Warranty:	10-Year

Electrical Specifications

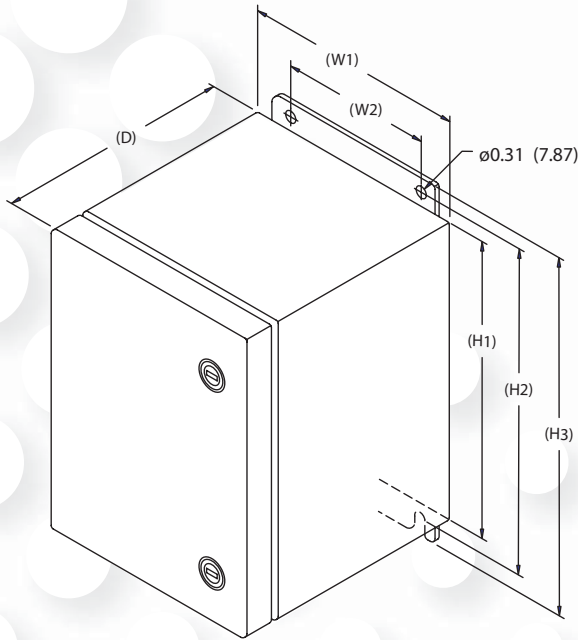
Operating Frequency:	47-63 Hz
Connection Method:	Parallel to electrical distribution system
Modes of Protection:	Discrete protection (L-N, L-G, N-G, & L-L)
Fault Rating (SCCR):	200kAIC – no upstream over-current protection device (breaker or fuse) required
Response Time:	Less than 0.5 nanoseconds
Standard Monitoring:	Status indicator lights (one per phase) Service indicator light Form C contacts (NO/NC) Audible alarm with silence button Surge counter

EMI / RFI Filter Attenuation – Mil Standard 220B

1kHz	10kHz	100kHz	1MHz	10MHz	100MHz	Max. Attenuation Freq.
2 dB	17 dB	40 dB	18 dB	6 dB	1 dB	41 dB @ 106kHz



CurrentGuard™ 80 Plus



DIMENSIONAL SPECIFICATIONS

Dim	CGP80	
H1	10.00	(254.0)
H2	10.75	(273.1)
H3	11.50	(292.1)
W1	8.00	(203.2)
W2	6.00	(152.4)
D	6.20	(157.5)

All measurements in inches (mm)

MECHANICAL SPECIFICATIONS

Enclosure Type:	Powder coated, impact-resistance steel, weather-proof NEMA 4
Installation Location:	Indoor or outdoor
Dimensions:	10"H x 8"W x 6"D
Connection Method:	Pre-wired with 36 inches of #10AWG conductor
Mounting Method:	Dual mounting flanges
Operating Environment:	-40° C to +70° C (-40° F to +158° F) 5% - 95% non-condensing humidity
Weight:	30 lbs. (13.6 kg)

CURRENTGUARD 80 PLUS PERFORMANCE DATA

Model Number	CGP80-120/240-2G CGP80-120/208-3GY				CGP80-220/380-3GY CGP80-277/480-3GY				CGP80-347/600-3GY				CGP80-120/240-3GHD						CGP80-240-3GD		CGP80-380-3GD CGP80-480-3GD		CGP80-600-3GD		
	System Voltage		120/240V 120/208V		220/380V 277/480V		347/600V		120/240V						240V		380V 480V		600V						
Protection Mode	L-N	L-G	L-L	N-G	L-N	L-G	L-L	N-G	L-N	L-G	L-L	N-G	L-N	H-N	L-G	H-G	L-L	H-L	N-G	L-G	L-L	L-G	L-L	L-G	L-L
MCOV	150	150	300	150	320	320	640	320	420	420	840	420	150	320	150	320	300	470	150	320	320	550	550	750	750
B3 Ring Wave 6kV, 500A	405	470	605	322	640	759	960	721	715	829	1130	670	405	640	470	640	605	800	322	759	640	1050	860	1260	1070
B3/C1 Combo Wave 6kV, 3kA	590	644	980	603	1010	1022	1740	957	1250	1340	2300	1230	590	1010	644	1022	980	1400	603	982	1070	1500	1720	1960	2260
C3 Combo Wave 20kV, 10kA	970	1160	1430	1100	1540	1600	2260	1550	1910	1960	2910	1880	970	1540	1160	1600	1430	2050	1100	1630	1550	2260	2340	2760	2950
UL 1449 2nd Edition SVR	400	400	700	400	800	800	1500	800	1000	1200	2000	1000	400	800	400	800	700	1500	400	800	800	1500	1500	1800	1800

All CurrentGuard™ Plus systems measured limited voltages are peak values (±10%) measured from the zero reference point and are in compliance with test and evaluation procedures outlined in NEMA LS1-1992 (R2000), paragraphs 2.210 and 3.10.

Specifications subject to change without notice, refer to www.currenttechnology.com for latest revision.



By Danaher Power Solutions
5900 Eastport Boulevard Richmond, VA 23231-4453 USA
TEL: 804.236.3300 800.238.5000 FAX: 804.236.4047