

AC SURGE PROTECTOR SURGITRON® I

MODELS 1265-85-M, 1265-85-MN

120/240V, 1 ϕ , 3 Wire + Ground

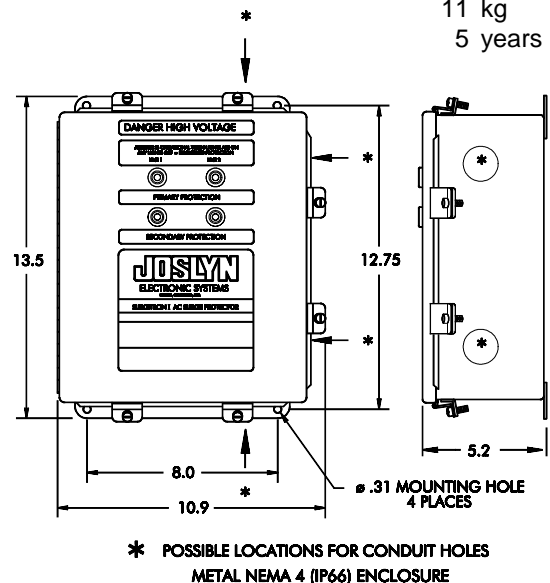
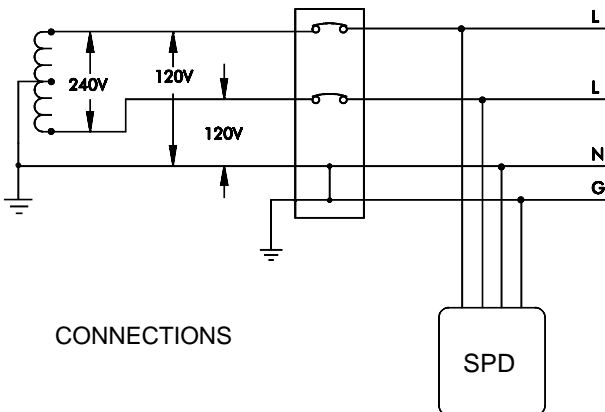


- SPD Category and Type: Service entrance or distribution panel, permanently connected. 1265-85-M is recommended for installation close to service entry where neutral is grounded. 1265-85-MN can be employed on feeder circuits and subpanels as well.
- Technology: Matrix of individually fused metal oxide varistors housed in replaceable modules.
- Features: Includes secondary, back-up protection modules for each line to ensure of continued protection until maintenance can be scheduled. LED's on cabinet front cover indicate the functional status of modules. Primary modules are additionally monitored with alarm relays.
- Options: Stainless steel NEMA 4X cabinet: add **-4X** to model number.
Surge Event Counter: add **-S** to model number.
Remote Monitor and Audible Alarm: separately order P/N 1260-97.
- Connection Means: In parallel (shunt), directly across mains or through 60 A (min) switch or breaker.
- Cable Size for Connections, contractor supplied: AWG 4 - 2/0
- Upstream Overcurrent Device: None required
- Maximum Continuous Operating Voltage, L-N, 50 or 60 Hz: 138 Vac
- Protection Modes:

1265-85-M	L-N	150 / 300 Vac
1265-85-MN	L-N N-G	240 / 470 V
- Varistor MCOV, Primary / Secondary: 240 / 470 V
- Nominal Varistor Voltage at 1 mA_{dc}, Primary / Secondary: <500 μ A
- Leakage, L-G at 120 Vac: 240 kA
- Maximum Surge Current, Single Pulse, 8/20 μ s, per line:

200 A, 100 kHz (6 kV)	430 V
500 A, 100 kHz (6 kV)	470 V
500 A, 8/20 μ s (6 kV)	370 V
3 kA, 8/20 μ s (6 kV)	440 V
10 kA, 8/20 μ s (20 kV)	630 V
20 kA, 8/20 μ s (20 kV)	950 V
- UL 1449 Suppression Voltage, L-N, N-G: 400 V
- Surge Energy Capability, 10/1000 μ s, total: 16,580 joules
- Surge Life, L-N, 120 Vac applied:

3 kA, 8/20 μ s	400,000 times
10 kA, 8/20 μ s	12,000 times
20 kA, 8/20 μ s	1,000 times
- Relay Contacts, dual form C (DPDT): minimum load 1 mA, 5 Vdc; maximum 5 A, 240 Vac or 28 Vdc
- Component Response Time: <1 ns
- Operating Temperature: -40 to +85 C
- Max Operating Altitude: 5000 meters
- Shipping Weight: 11 kg
- Warranty: 5 years
- Safety, Approvals: UL and cUL Listed per UL1449 and Canadian codes, File E74944



TDS126585MN(E)