

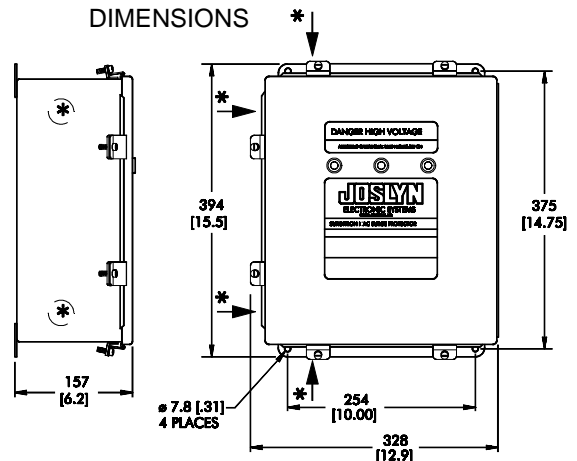
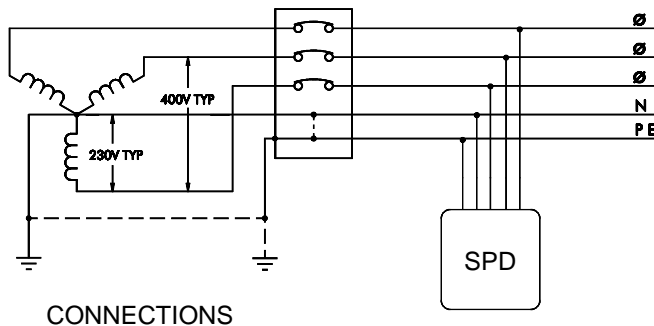
AC SURGE PROTECTOR SURGITRON® I

MODELS 1457-45, 1457-80, 1457-85
400Y/230V, 3 ϕ , 4 Wire + PE



- SPD Category and Type Service entrance or distribution panel, permanently connected.
- Neutral Grounding Use 1457-45 / -85 for types TN-C, TNS, or TN-C-S; use 1457-80 for type TT services.
- Technology Matrix of individually fused metal oxide varistors housed in replaceable modules.
- Features Cover LEDs indicate status of modules. Models 1457-80/85 have relay contacts for remote monitoring.
- Options Stainless steel NEMA 4X cabinet: add **-4X** to model number. Surge Event Counter: add **-S** to model no.
Remote Monitor and Audible Alarm: separately order P/N 1260-97.
- Connection Means In parallel (shunt) directly across mains or through 60 A (min) switch or breaker.
- Cable Size for Connections, contractor supplied AWG 4 - 2/0
- Upstream Overcurrent Device None required
- Internal Overcurrent Protection 200 kAIC
- Maximum Continuous Operating Voltage, L-N, 50 or 60 Hz 276 Vac
- Leakage, L-PE at 230 Vac <2000 μ A
- Maximum Surge Current, Single Pulse, 8/20 μ s, per phase 120 kA
per mode 60 kA
- Protection Modes

	1457-45, 1457-85	1457-80	L-N, N-PE	L-PE, N-PE
Varistor MCOV			L-N 300 Vac	420 Vac
Nominal Varistor Voltage at 1 mAdc			470 V	660 V
Suppression Voltage using ANSI/IEEE C62.41 Waveshapes	200 A, 100 kHz	(6 kV)	750 V	945 V
	500 A, 100 kHz	(6 kV)	770 V	990 V
	500 A, 8/20 μ s	(6 kV)	720 V	920 V
	3 kA, 8/20 μ s	(6 kV)	810 V	1050 V
	10 kA, 8/20 μ s	(20 kV)	1080 V	1305 V
	20 kA, 8/20 μ s	(20 kV)	1560 V	1795 V
UL 1449 Suppression Voltage, L-N, L-G, N-G			800 V	1000 V
3 kA, 8/20 μ s	200,000 times			
10 kA, 8/20 μ s	6,000 times			
20 kA, 8/20 μ s	500 times			



* POSSIBLE LOCATIONS FOR CONDUIT HOLES
METAL NEMA 4 (IP66) ENCLOSURE