

# AC SURGE PROTECTOR SURGITRON® II MODEL 1258-41

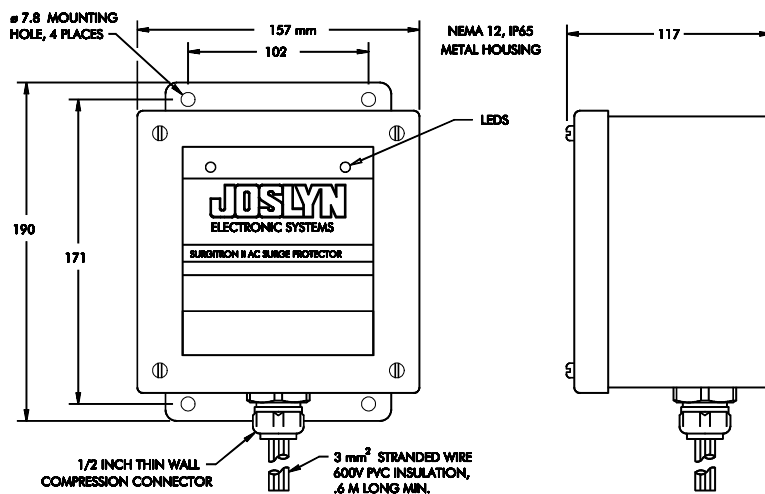
230 Vac, 50-60 Hz, 1 $\phi$ , 2 Wire 'IT'

- SPD Category and Type: Service entrance or distribution panel, permanently connected. Can be used on any 230 Vac (nominal) 2-wire service derived either from a floating (Type IT) or a ground referenced transformer, delta or wye configured.
- Technology: Matrix of individually fused metal oxide varistors housed in replaceable modules.
- Features: LEDs on cover provide indication of functional status of protector modules.
- Upstream Overcurrent Device: None required.
- Protection Modes:
 

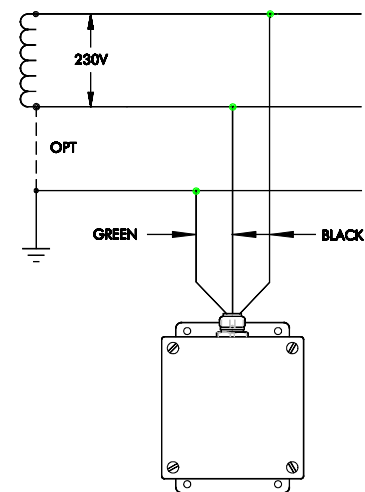
	Line-Line	Line-Ground
Maximum Continuous Operating Voltage, 50 or 60 Hz	276 Vac	NA
Varistor MCOV	300 Vac	420 Vac
Nominal Varistor Voltage at 1 mAdc	470 V	660 V
Leakage, at 230 Vac	<500 $\mu$ A	<500 $\mu$ A
Maximum Surge Current, Single Pulse, 8/20 $\mu$ s	60 kA	60 kA
- Suppression Voltage:
 

200 A, 100 kHz (6 kV)	760 V	940 V
using ANSI/IEEE C62.41 Waveshapes 500 A, 100 kHz (6 kV)	810 V	980 V
500 A, 8/20 $\mu$ s (6 kV)	745 V	930 V
3 kA, 8/20 $\mu$ s (6 kV)	820 V	1020 V
10 kA, 8/20 $\mu$ s (20 kV)	1010 V	1370 V
20 kA, 8/20 $\mu$ s (20 kV)	1560 V	1950 V
- UL 1449 Suppression Voltage: 8900 joules
- Surge Energy Capability, 10/1000  $\mu$ s, total: 25000 times
- Surge Life:
 

3 kA, 8/20 $\mu$ s	500 times
10 kA, 8/20 $\mu$ s	<1 ns
- Component Response Time: -40 to +85 C
- Operating Temperature: 5000 m
- Max Operating Altitude: 3.5 kg
- Shipping Weight: 5 years
- Warranty:



DIMENSIONS



CONNECTIONS