

# AC Surge Protector - Joslyn Data Sheet

## SURGITRON<sup>®</sup> II

### MODEL 1260-41

UL LISTED PER UL 1449, 2<sup>ND</sup> EDITION

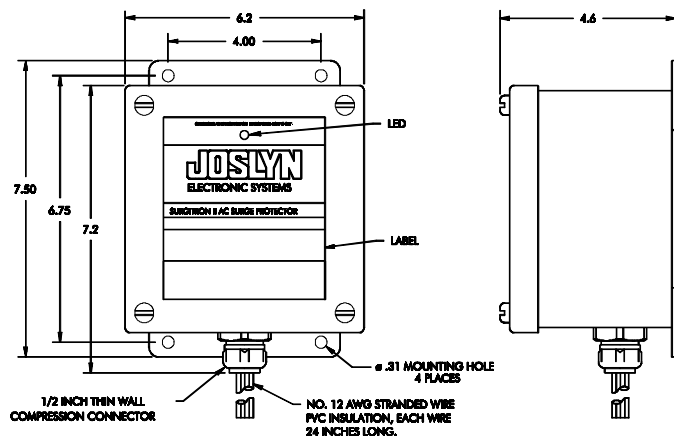


UL LISTED PER CANADIAN SAFETY STANDARDS

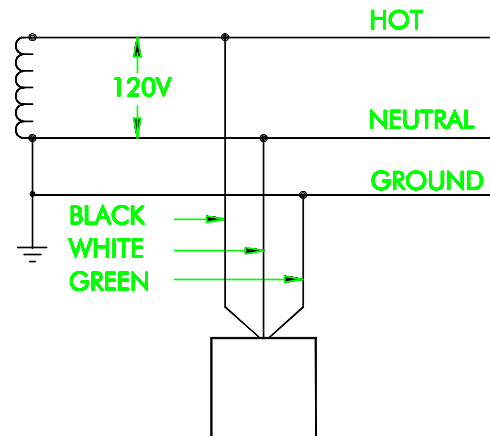


- SPD Category and Type: Service entrance or distribution panel, permanently connected
- Technology: Multiple Metal Oxide Varistors with individual fusing
- Nominal Line Voltage: 120 Vac, 50-60 Hz, single phase, 2 wire
- Maximum Continuous Operating Voltage (L-N) 150 Vac
- Protection Modes L-N, L-G, N-G
- Maximum Surge Current, (Single Pulse) 8/20  $\mu$ s: 100 kA  
For each mode (L-N, L-G, N-G) 50 kA
- Varistor Voltage at 1 mA dc 210-260 Vdc
- Suppression voltages, using ANSI/IEEE C62.41 and C62.11 Wave shapes
  - Location Category A: 200 A, 100 kHz Ring Wave: 490 V
  - Location Category B: 500 A, 100 kHz Ring Wave: 540 V  
3 kA, 8/20  $\mu$ s Combination Wave: 520 V
  - Location Category C: 10 kA, 8/20  $\mu$ s: 830 V  
20 kA, 8/20  $\mu$ s: 1320 V
- UL 1449, 2<sup>nd</sup> Edition Suppression Voltage: 600 V, L-N, L-G, N-G
- Surge Energy Capability, 8/20  $\mu$ s, total rating of all MOVs 2,880 joules
- Surge Life, 120 V ac applied, 3 kA, 8/20  $\mu$ s: >15,000 Operations  
10 kA, 8/20  $\mu$ s: >1,000 Operations
- Component Response Time: <1 nanosecond
- Operating Temperature: -40 C to +65 C
- UL Listed per UL 1449 and Canadian Standards: File E74944
- Warranty 5 Years

### DIMENSIONS



### INSTALLATION



\* Measured 1" outside housing