

# AC Surge Protector – Joslyn Data Sheet

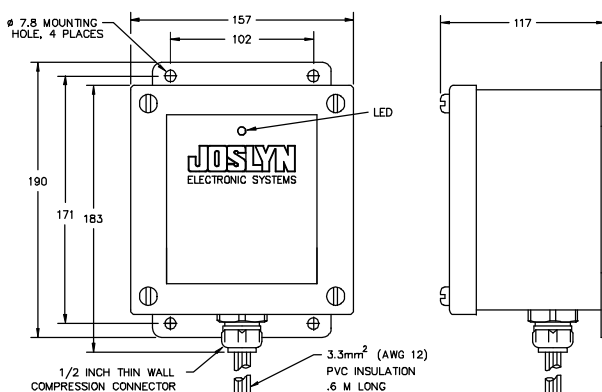
## Surgitron® II

### Model 1261-41

UL LISTED PER UL 1449

- SPD Category and Type Service entrance or distribution panel, permanently connected.  
Not suited for Type "IT" power systems with an ungrounded neutral.
- Technology Multiple Metal Oxide Varistors with individual fusing.
- Nominal Line Voltage **230 Vac (208-277 V  $\phi$ -N) , 50-60 Hz, 1 $\phi$ , 2 Wire**
- Maximum Continuous Operating Voltage, L-N 300 Vac
- Varistor Voltage at 1 mA<sub>dc</sub> 470 V
- Protection Modes L-N, L-G, N-G
- Maximum Surge Current, (Single Pulse, 8/20  $\mu$ s) 100 kA  
each mode L-N, L-G, N-G 50 kA
- Suppression Voltages\*, using ANSI/IEEE C62.41-1991 and C62.11-1987 Waveshapes
  - Location Category A 700 V  
 200 A, 100 kHz Ring Wave
  - Location Category B 720 V  
 500 A, 100 kHz Ring Wave 740 V  
 3 kA, 8/20  $\mu$ s Combination Wave
  - Location Category C 920 V  
 10 kA, 8/20  $\mu$ s 1450 V  
 20 kA, 8/20  $\mu$ s \* 15 mm external lead length
- UL 1449 Suppression Voltage of modules 800 V
- UL 1449 Suppression Voltage, L-N, L-G, N-G 1000 V
- Surge Energy Capability, 8/20  $\mu$ s, total rating of all MOV's 5760 Joules
- Surge Life, 277 Vac applied, 3 kA, 8/20  $\mu$ s >20,000 Operations  
10 kA, 8/20  $\mu$ s >2,000 Operations
- Component Response Time <1 nanosecond
- Operating Temperature -40 to +65°C
- Warranty 5 years

#### DIMENSIONS



#### INSTALLATION

