

AC SURGE PROTECTOR SURGITRON® II

MODEL 1456-41

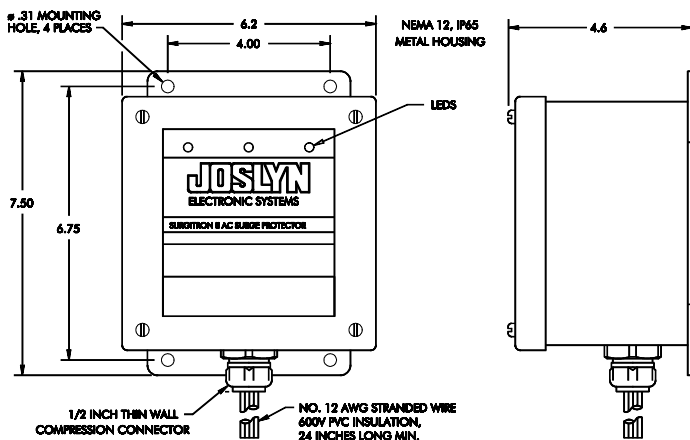
480/277V, 3 ϕ , 4 Wire + Ground

- | | |
|--|---|
| • SPD Category and Type | Service entrance or distribution panel, permanently connected. |
| • Technology | Matrix of individually fused metal oxide varistors housed in replaceable modules. |
| • Features | LEDs on cover provide indication of functional status of protector modules. |
| • Upstream Overcurrent Device | None required |
| • Protection Modes | L-N, N-G |
| • Maximum Continuous Operating Voltage, L-N, 50 or 60 Hz | 293 Vac |
| • Maximum Surge Current, Single Pulse, L-N, 8/20 μ s | 60 kA |
| • Leakage, at 240 Vac | <500 μ A |
| • Varistor MCOV | 300 Vac |
| • Nominal Varistor Voltage at 1 mAdc | 470 V |
| • Suppression Voltage, L-N | 200 A, 100 kHz (6 kV) 760 V |
| using ANSI/IEEE C62.41 Waveshapes | 500 A, 100 kHz (6 kV) 810 V |
| | 500 A, 8/20 μ s (6 kV) 745 V |
| | 3 kA, 8/20 μ s (6 kV) 820 V |
| | 10 kA, 8/20 μ s (20 kV) 1010 V |
| | 20 kA, 8/20 μ s (20 kV) 1560 V |
| • UL 1449 Suppression Voltage | 800 V |
| • Surge Energy Capability, 10/1000 μ s, total | 9100 joules |
| • Surge Life | 3 kA, 8/20 μ s 25000 times |
| | 10 kA, 8/20 μ s 500 times |
| • Component Response Time | <1 ns |
| • Operating Temperature | -40 to +85 C |
| • Max Operating Altitude | 5000 m |
| • Shipping Weight | 3.5 kg |
| • Warranty | 5 years |
| • Safety Approvals: | UL Listed per UL 1449, XUHT, File No. E74944 |
| | CSA Certified per Std. C22.2 and EN516 |
| | USDA-RUS Accepted, Section gi, 5.5.2 |

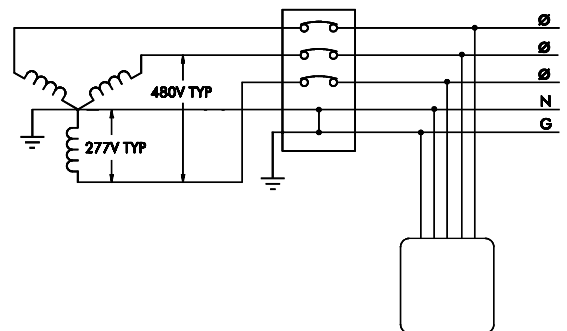


RUS

UL Listed per UL 1449, XUHT, File No. E74944
CSA Certified per Std. C22.2 and EN516
USDA-RUS Accepted, Section gi, 5.5.2



DIMENSIONS



CONNECTIONS