

# AC SURGE PROTECTOR SURGITRON®



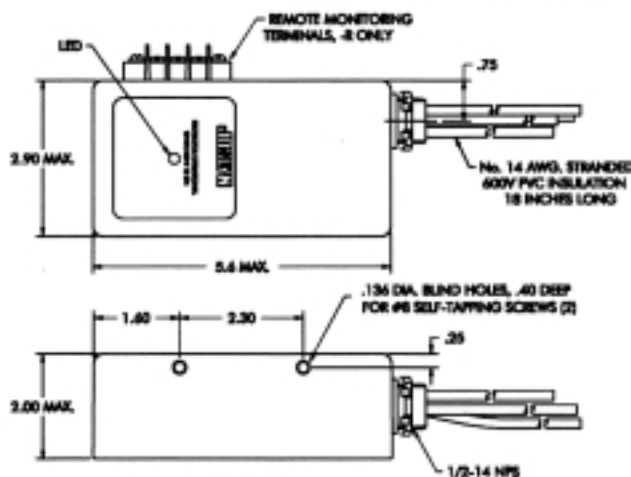
**MODEL 1261-49, 1261-49-R** 230 Vac, 50-60 Hz, 1 $\phi$ , 2 Wire

**MODEL 1457-49, 1457-49-R** 400Y/230V, 50-60 Hz, 3 $\phi$ , 4 Wire

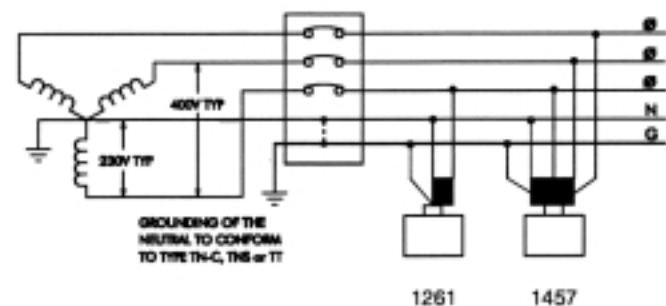


## TECHNICAL DATA

- SPD Category and Type Service panel or distribution panel, permanently connected.
- Technology Multiple Metal Oxide Varistors.
- Features Individual fusing and thermal disconnects for each MOV. LED provides visual summary status of L-N MOV elements. Models with -R suffix include form C (SPDT) relay contacts for remote monitoring.
- Connection Means In parallel with load, 2 mm<sup>2</sup> (#14) wires
- Upstream Overcurrent Device None required
- Maximum Continuous Operating Voltage, L-N 255 Vac
- Protection Modes L-N, N-G
- Varistor MCOV 300 Vac
- Varistor Voltage at 1 mAdc 470 V
- Leakage, L-G at 230 Vac <250  $\mu$ A
- Maximum Surge Current, Single Pulse, 8/20  $\mu$ s 40 kA
- Suppression Voltage L-N, N-G 200 A, 100 kHz (6 kV) 735 V
- using ANS/IEEE C62.41 Waveshapes 500 A, 100 kHz (6 kV) 800 V
- 500 A, 8/20  $\mu$ s (6 kV) 690 V
- 3 kA, 8/20  $\mu$ s (6 kV) 845 V
- 5 kA, 8/20  $\mu$ s (10 kV) 900 V
- 10 kA, 8/20  $\mu$ s (20 kV) 1095 V
- UL 1449 Suppression Voltage, L-N, N-G 800 V
- Surge Energy Capability, 8/20  $\mu$ s, total 1261-49: 2080 joules 1457-49: 4160 joules
- Surge Life, 230 Vac L-N applied 3 kA, 8/20  $\mu$ s 3000 times
- 10 kA, 8/20  $\mu$ s 100 times
- Relay Contact Rating Minimum 50 mVA (>1 mA or >5 Vdc). Maximum 5 A, 250 Vac & 28 Vdc
- Component Response Time <1 ns
- Operating Temperature -40 to +80 C
- Operating Altitude 5000 m
- Shipping Weight .8 kg
- Warranty 3 years
- Complies with 25 amp 'Loss of Neutral' test of IEEE C62.34
- Safety Approvals: CE Compliant with Directive 73/23/EEC
- UL Listed per UL 1449, XUHT, File No. E74944
- cUL Certified per Canadian codes, XUHT7, File No. E74944



DIMENSIONS



CONNECTIONS