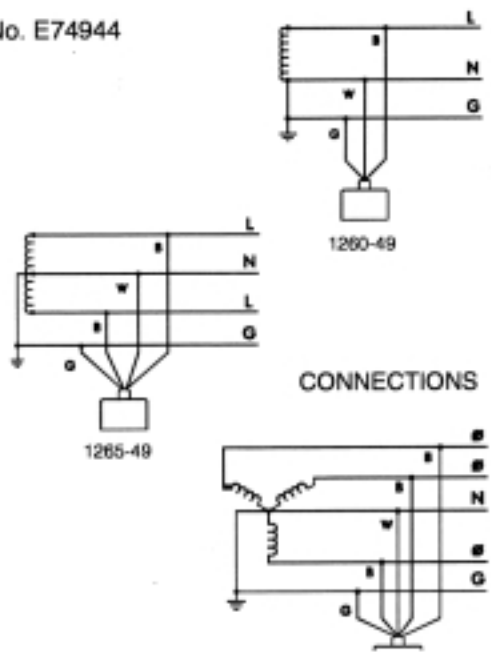
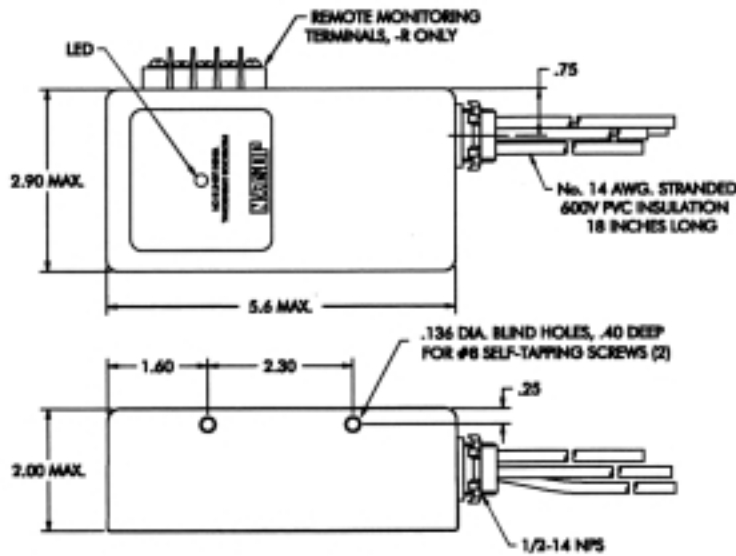


# AC SURGE PROTECTOR SURGITRON® III

- MODEL 1260-49** 120 Vac, 50-60 Hz, 1 $\phi$ , 2 Wire  
**MODEL 1265-49** 120/240 Vac, 50-60 Hz, 1 $\phi$ , 3 Wire  
**MODEL 1455-49** 208Y/120 Vac, 50-60 Hz, 3 $\phi$ , 4 Wire



- SPD Category and Type Service entrance or distribution panel, permanently connected.
- Technology Multiple Metal Oxide Varistors.
- Features Individual fusing and thermal disconnects for each MOV. LED provides visual summary status of L-N MOV elements. Form C (SPDT) relay contacts for remote monitoring: add **-R** to model number.
- Connection Means In parallel with load, #14 wires
- Upstream Overcurrent Device None required
- Maximum Continuous Operating Voltage, L-N, 50 or 60 Hz 132 Vac
- Protection Modes L-N, N-G
- Varistor MCOV 150 Vac
- Nominal Varistor Voltage at 1 mAdc 240 V
- Leakage, L-G at 120 Vac <100  $\mu$ A
- Maximum Surge Current, Single Pulse, 8/20  $\mu$ s 40 kA
- Suppression Voltage, L-N 200 A, 100 kHz (6 kV) 410 V  
 using ANSI/IEEE C62.41 Waveshapes 500 A, 100 kHz (6 kV) 460 V  
 500 A, 8/20  $\mu$ s (6 kV) 370 V  
 3 kA, 8/20  $\mu$ s (6 kV) 480 V  
 10 kA, 8/20  $\mu$ s (20 kV) 740 V
- UL 1449 Suppression Voltage, L-N, N-G 400 V
- Surge Energy Capability, total 1260: 1250 j 1265: 1875 j 1455: 2500 joules
- Surge Life, 120 Vac L-N applied 3 kA, 8/20  $\mu$ s 3000 times  
 10 kA, 8/20  $\mu$ s 100 times
- Relay Contact Rating Minimum 50 mVA (>2 mA or >5 Vdc). Maximum 5 A, 250 Vac & 30 Vdc
- Component Response Time <1 ns
- Operating Temperature -40 to +80 C
- Max Operating Altitude 5000 m
- Shipping Weight 1 kg
- Warranty 3 years
- Complies with 25 amp 'Loss of Neutral' test of IEEE C62.34
- Safety Approvals: UL Listed per UL 1449, XUHT, File No. E74944  
 cUL Certified per Canadian codes, XUHT7, File No. E74944  
 CE Compliant with Directive 73/23/EEC



TDS1260498(7/02)