

AC SURGE PROTECTOR SURGITRON® III

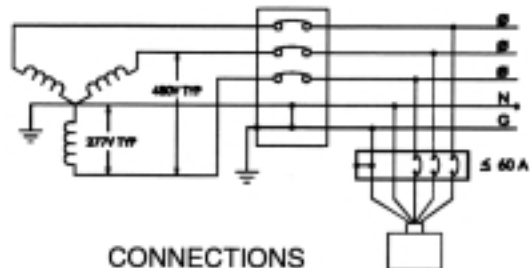
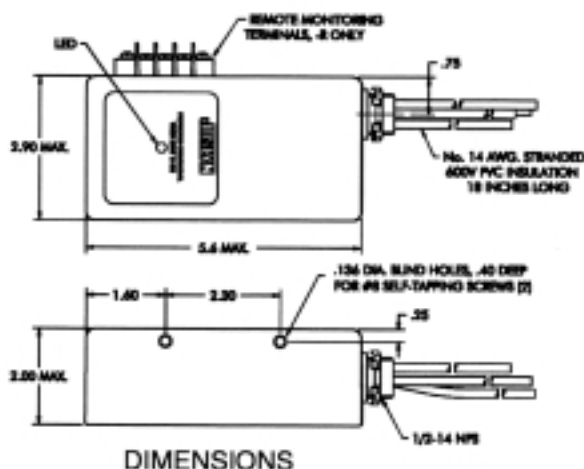
MODELS 1456-49, 1456-49-R

480Y/277 Vac, 50-60 Hz, 3 ϕ , 4 Wire



TECHNICAL DATA

- | | |
|---|--|
| • SPD Category and Type | Service entrance or distribution panel, permanently connected. |
| • Technology | Multiple Metal Oxide Varistors. |
| • Features | Individual fusing and thermal disconnects for each MOV. LED provides visual summary status of L-N MOV elements. Model 1456-49-R includes form C (SPDT) relay contacts for remote monitoring. |
| • Connection Means | In parallel with load, #14 wires |
| • Maximum Continuous Operating Voltage, L-N | 293 Vac |
| • Upstream Overcurrent Device | \leq 60 Amp |
| • Protection Modes | L-N, N-G |
| • Varistor MCOV | 320 Vac |
| • Varistor Voltage at 1 mAdc | 495 V |
| • Leakage, L-G at 277 Vac | $<$ 300 μ A |
| • Maximum Surge Current, Single Pulse, 8/20 μ s | 40 kA |
| • Suppression Voltage, L-N, N-G | 200 A, 100 kHz (6 kV) 765 V |
| using ANSI/IEEE C62.41 Waveshapes | 500 A, 100 kHz (6 kV) 840 V |
| | 500 A, 8/20 μ s (6 kV) 730 V |
| | 3 kA, 8/20 μ s (6 kV) 900 V |
| | 5 kA, 8/20 μ s (10 kV) 955 V |
| | 10 kA, 8/20 μ s (20 kV) 1175 V |
| • UL Suppression Voltage, L-N, N-G | 800 V |
| • Surge Energy Capability, total | 4160 joules |
| • Surge Life, 277 Vac applied | 3kA, 8/20 μ s 3000 times |
| | 10 kA, 8/20 μ s 100 times |
| • Relay Contact Rating | Minimum 50 mVA ($>$ 1 mA or $>$ 5 Vdc). Maximum 5 A, 250 Vac & 28 Vdc |
| • Component Response Time | $<$ 1 ns |
| • Operating Temperature | 40 to +80 C |
| • Max Operating Altitude | 5000 m |
| • Mass | 1 kg |
| • Warranty | 3 years |
| • Complies with 25 amp 'Loss of Neutral' test of C62.34 | |
| • Safety Approvals: | UL Listed per UL1449, XUHT, File No. E74944 |
| | cUL Certified per Canadian codes, XUHT7, File No. E74944 |
| | CE Compliant with Directive 73/23/EEC |



TDS145649(X)