

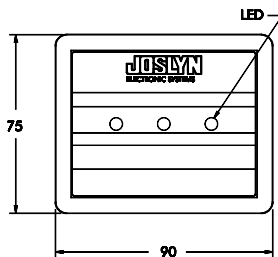
# AC SURGE PROTECTOR SURGITRON® III MODEL 1457-21

400Y/230V, 50-60 Hz, 3 $\phi$ , 4 Wire

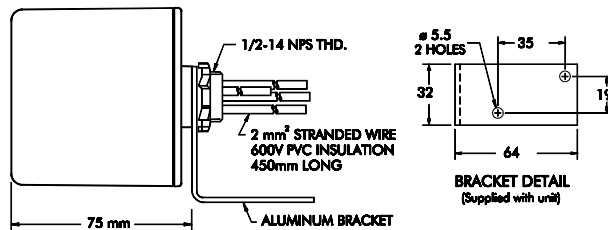
# JOSLYN

TECHNICAL DATA

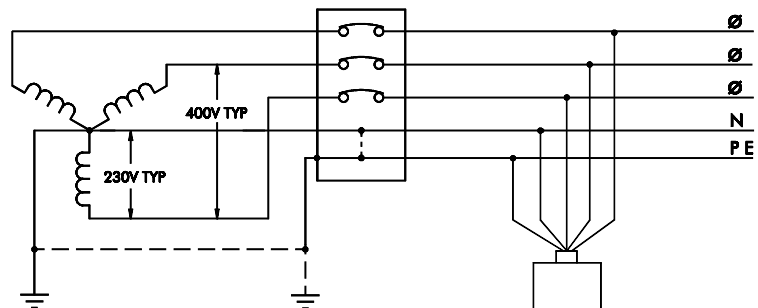
- SPD Category and Type: Service entrance or service panel, permanently connected. Intended for use on types TN-C, TN-C-S and TNS neutral earthing schemes.
- Technology: Multiple Metal Oxide Varistors. Individual fusing and thermal disconnects for each MOV. LEDs for each phase indicates proper function of individual MOVs.
- Connection Means: In parallel across mains
- Upstream Overcurrent Device: None required
- Maximum Continuous Operating Voltage, L-N: 276 Vac
- Protection Modes: L-N, N-PE
- Varistor MCOV: 300 Vac
- Varistor Voltage at 1 mAdc: 470 V
- Leakage, L-PE at 230 Vac: <250  $\mu$ A
- Maximum Surge Current, Single Pulse, 8/20  $\mu$ s: 40 kA
- Suppression Voltage L-N, N-PE: 200 A, 100 kHz (6 kV) 730 V  
using ANSI/IEEE C62.41 Waveshapes 500 A, 100 kHz (6 kV) 770 V  
500 A, 8/20  $\mu$ s (6 kV) 740 V  
3 kA, 8/20  $\mu$ s (6 kV) 830 V  
10 kA, 8/20  $\mu$ s (20 kV) 1055 V
- UL 1449 Suppression Voltage, L-N, N-PE: 800 V
- Surge Energy Capability, total: 4160 joules
- Surge Life, 230 Vac L-N applied: 3 kA, 8/20  $\mu$ s 3000 times  
10 kA, 8/20  $\mu$ s 100 times
- Component Response Time: <1 ns
- Operating Temperature: -40 to +80 C
- Operating Altitude: 5000 m
- Shipping Weight: .9 kg
- Warranty: 3 years
- Complies with 25 amp 'Loss of Neutral' test of IEEE C62.34
- Safety Approvals: CE Compliant with Directive 73/23/EEC  
UL Listed per UL 1449, XUHT, File No. E74944  
cUL Certified per Canadian codes, XUHT7, File No. E74944



DIMENSIONS



CONNECTIONS



TDS145721(NC)