

AC SURGE PROTECTOR SURGITRON®

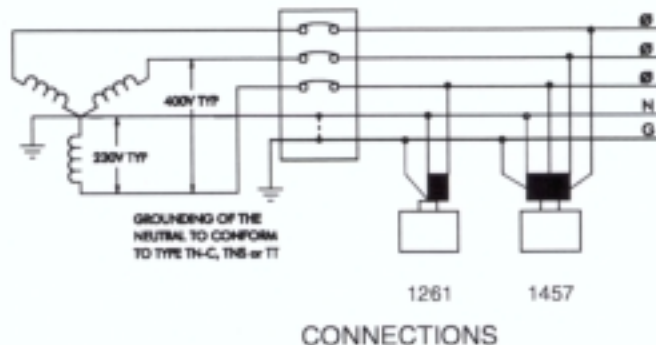
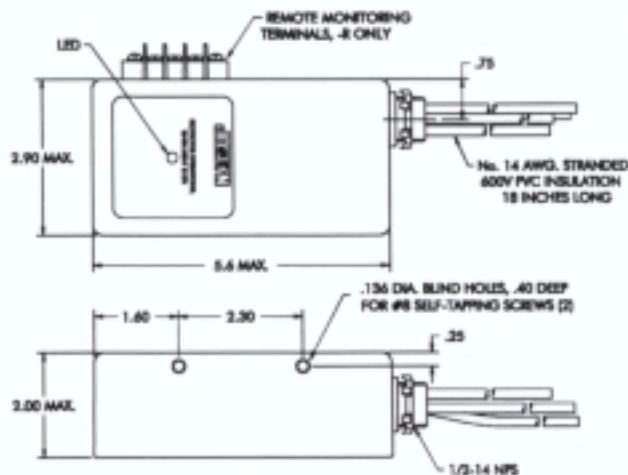


MODEL 1261-49, 1261-49-R 230 Vac, 50-60 Hz, 1 ϕ , 2 Wire
MODEL 1457-49, 1457-49-R 400Y/230V, 50-60 Hz, 3 ϕ , 4 Wire



TECHNICAL DATA

- | | |
|--|---|
| • SPD Category and Type | Service panel or distribution panel, permanently connected. |
| • Technology | Multiple Metal Oxide Varistors. |
| • Features | Individual fusing and thermal disconnects for each MOV. LED provides visual summary status of L-N MOV elements. Models with -R suffix include form C (SPDT) relay contacts for remote monitoring. |
| • Connection Means | In parallel with load, 2 mm ² (#14) wires |
| • Upstream Overcurrent Device | None required |
| • Maximum Continuous Operating Voltage, L-N | 255 Vac |
| • Protection Modes | L-N, N-G |
| • Varistor MCOV | 300 Vac |
| • Varistor Voltage at 1 mA _{dc} | 470 V |
| • Leakage, L-G at 230 Vac | <250 μ A |
| • Maximum Surge Current, Single Pulse, 8/20 μ s | 40 kA |
| • Suppression Voltage L-N, N-G | 200 A, 100 kHz (6 kV) 735 V |
| using ANSI/IEEE C62.41 Waveshapes | 500 A, 100 kHz (6 kV) 800 V |
| | 500 A, 8/20 μ s (6 kV) 690 V |
| | 3 kA, 8/20 μ s (6 kV) 845 V |
| | 5 kA, 8/20 μ s (10 kV) 900 V |
| | 10 kA, 8/20 μ s (20 kV) 1095 V |
| • UL 1449 Suppression Voltage, L-N, N-G | 800 V |
| • Surge Energy Capability, 8/20 μ s, total | 1261-49: 2080 joules 1457-49: 4160 joules |
| • Surge Life, 230 Vac L-N applied | 3 kA, 8/20 μ s 3000 times |
| | 10 kA, 8/20 μ s 100 times |
| • Relay Contact Rating | Minimum 50 mVA (>1 mA or >5 Vdc). Maximum 5 A, 250 Vac & 28 Vdc |
| • Component Response Time | <1 ns |
| • Operating Temperature | -40 to +80 C |
| • Operating Altitude | 5000 m |
| • Shipping Weight | .8 kg |
| • Warranty | 3 years |
| • Complies with 25 amp 'Loss of Neutral' test of IEEE C62.34 | |
| • Safety Approvals: | CE Compliant with Directive 73/23/EEC |
| | UL Listed per UL 1449, XUHT, File No. E74944 |
| | cUL Certified per Canadian codes, XUHT7, File No. E74944 |



TDS1261498(NC)