

SURGITRON[®] PM

Model 1265-85-PM

Power up Diagnostics:

Sounds the audible alarm, lights the visual (LED) displays, checks for the presence of protector modules, verifies and displays electrical system frequency, and verifies sub-systems operation.

Monitoring:

Provides true rms voltage readings for each line, accuracy of $\pm 2\%$ at nominal line voltage

Detects and counts sags > 5 cycles, 10% to 90% nominal voltage

Detects and counts voltage swells > 5 cycles, >110% nominal voltage

Detects and counts surges $\geq 20 \mu s$, >130% nominal peak voltage

Detects and counts fractional cycle dropouts $\geq \frac{1}{4}$ cycle

Detects and counts outages > 1 cycle

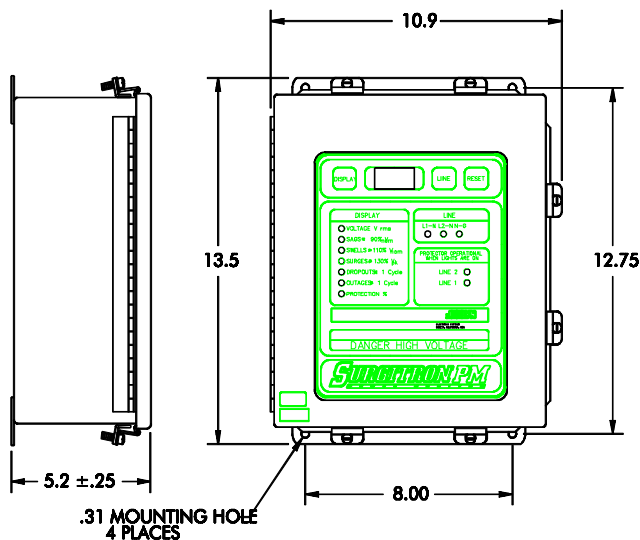
Saves counts to nonvolatile memory, maximum 999 counts per type

Detects percent protection available each protection module (MOV or SAD)

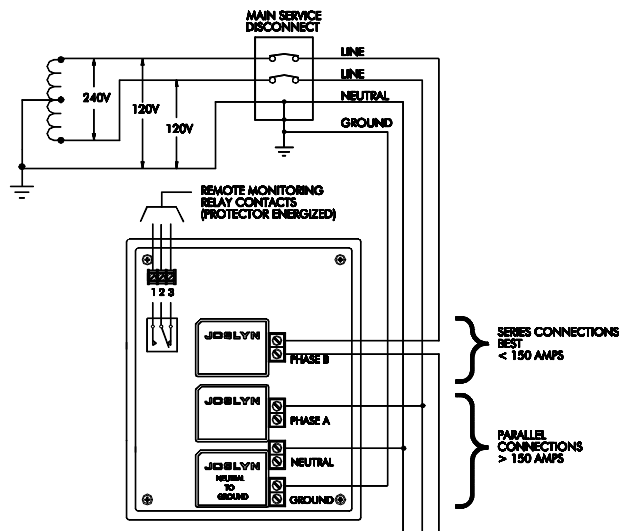
A 25% reduction of protection triggers an audible alarm that can be reset

A 50% reduction of protection triggers audible alarm, extinguish of LED associated with affected phase, and a change of state in a dual dry contact NO/NC relay output for other local alarming.

Dimensions



Installation



SURGITRON[®] is a trademark of Joslyn Electronic Systems Company.

Windows95[®] is a trademark of Microsoft Corporation.