

SURGITRON[®] PM

Model 1452-85-PM

3-Phase, 240/120 Vac, 4 Wire Delta Surge Protector and Power Monitor

• Unique Features:

- Plug-in MOV modules with Patented individual thermal disconnects.
- First of its kind digital “Percent Protection Remaining” monitoring.
- Internal dial-up modem communicates with any Windows based PC and **SURGITRON PM/PMT** software.
- Internal monitor reports true RMS voltage, sags, swells, surges, sub-cycle dropouts, and multi-cycle outages.

General Specifications:

SPD Category and Type	Main Panel or Sub-panel Application			
Protection Modes	L-N, L-G, N-G			
Maximum Surge Current, 8/20 μ s (per phase)	160 kA			
(L-N, L-G)	80 kA			
(N-G)	40 kA			
Varistor voltage, 1mA	Phase A & C (L-N, L-G) and N-G	240 Vdc		
	Phase B (L-N, L-G)	430 Vdc		
	<u>Phases A & C</u>	<u>Phase B</u>		
Nominal Line Voltage (L-N)	120 Vac	208 Vac		
Maximum Continuous Operating Voltage (L-N)	132 Vac	255 Vac		
Suppression Voltage, ANSI/IEEE C62.41 & C62.11 wave shapes, tested per C62.45				
	<u>L-N, L-G</u>	<u>L-N, L-G</u>	<u>N-G</u>	
Location Category A	200 A, 100 kHz Ring Wave	400 V	690 V	430 V
Location Category B	500 A, 100 kHz Ring Wave	460 V	750 V	460 V
	3 kA, 8/20 μ s Combination Wave	420 V	730 V	460 V
Location Category C	10 kA, 8/20 μ s Combination Wave	540 V	900 V	560 V
	20 kA, 8/20 μ s Combination Wave	840 V	1200 V	730 V
UL Suppression Voltage (Phase A & C) (L-N, L-G, N-G)	400 V			
(Phase B) (L-N, L-G)	800 V			
Surge Energy Capability of all MOVs	9,445 Joules			
Surge Life, per phase, 240 Vac applied, 3 kA, 8/20 μ s	> 50,000 operations			
10 kA, 8/20 μ s	> 5,000 operations			
Component Response Time	< 1 nanosecond			
Relay Contact Rating, N.O. and N.C.	5 A, 24 Vdc/240 Vac			
Load Current Rating, Protector Series Connected (Kelvin)	150 Amperes Maximum			
Protector Parallel Connected (Shunt)	Unlimited			
Operating Temperature	-40 C to +65 C			
UL Listed per UL 1449 and Canadian standards	File No. E74944			
Warranty:	5 years			

SURGITRON[®] PM

Model 1452-85-PM

Communications:

One Form C relay for remote alarm connections.

A nine pin (DB-9) connector for RS-232 connection to your Personal Computer serial port

Integral modular telephone jack RJ-11 to connect the dial up V.22 modem to the telephone system.

Communicates with modem equipped Windows95[®] based PC via supplied **SURGITRON PM/PMT** software.

Power up Diagnostics:

Sounds the audible alarm, lights the visual (LED) displays, checks for the presence of protector modules, verifies and displays electrical system frequency, and verifies sub-systems operation.

Monitoring:

Provides true rms voltage readings for each line, accuracy of $\pm 2\%$ at nominal line voltage

Detects and counts sags > 5 cycles, 10% to 90% nominal voltage

Detects and counts voltage swells > 5 cycles, $> 110\%$ nominal voltage

Detects and counts surges $\geq 20 \mu s$, $> 130\%$ nominal peak voltage

Detects and counts fractional cycle dropouts $\geq \frac{1}{4}$ cycle

Detects and counts outages > 1 cycle

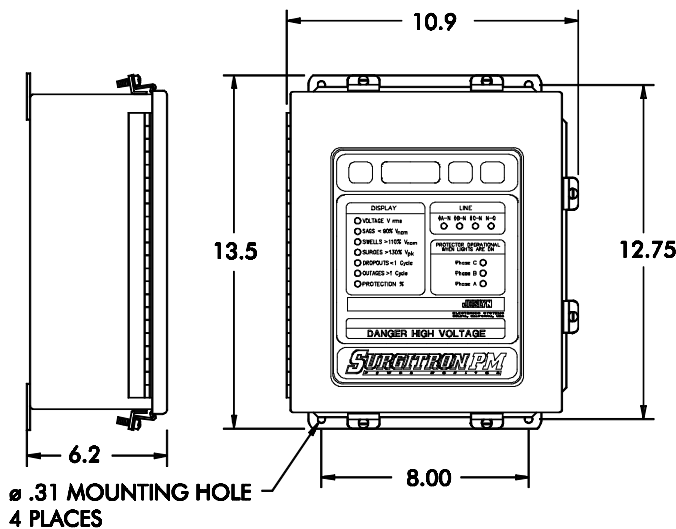
Saves counts to nonvolatile memory, maximum 999 counts per type

Detects percent protection available each protection module (MOV or SAD)

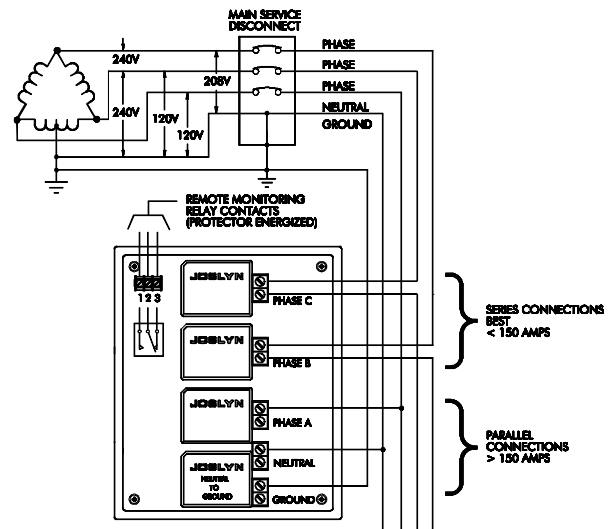
A 25% reduction of protection triggers an audible alarm that can be reset

A 50% reduction of protection triggers audible alarm, extinguish of LED associated with affected phase, and a change of state in a dual dry contact NO/NC relay output for other local alarming.

Dimensions



Installation



SURGITRON[®] is a trademark of Joslyn Electronic Systems Company.

Windows95[®] is a trademark of Microsoft Corporation.