



# UNITED POWER

## Series CPM: Conditioning Power Module

### Features

#### General

- Universal Applications
  - Medical Imaging
  - Industrial Processing
  - Data Processing
  - Laboratories
- Local Monitoring and Control
- Remote Monitoring Compatible
- Full System Tested
- One Year Warranty
- Quality Design and Construction
- UL 478 Listed

#### Electrical

- 15-300 kVA Systems
- Excellent Voltage Regulation
- High Isolation Characteristics
- Uninterrupted Bypass
- High Operating Efficiency
- 1% THD Added Maximum

#### Physical

- Quiet Operation
- Small Footprint
- Four Swivel Casters
- Four Stabilizing Feet
- 1/4 Turn Fasteners Throughout
- High-tech Aesthetics

United Power has designed its Series CPM conditioning power modules to protect your critical load against the most frequent power problems — sags and impulses. The Bell Telephone Laboratory Report indicates 87% of all power problems recorded during this 270 month survey were sags or low voltage conditions. Low voltage conditions simply cannot be tolerated due to their causing parity and read/write errors, memory loss and even hardware damage to sensitive electronic loads, as well as medical imaging and industrial grade processing equipment.

Series CPM systems feature one of the industry's fastest broad band voltage regulation circuits with superior noise attenuation characteristics provided by way of our multi-shielded transformer design. Systems are available from 15-300 kVA. Series CPM systems represent a revolutionary design in power conditioning equipment with its uninterrupted bypass being a technological breakthrough in the magnetic power conditioning industry. The extreme efficiency of these systems saves thousands of energy dollars over the life of the system.



Protection of critical equipment such as medical imaging, industrial process equipment, data processing and laboratories is a must with today's sensitive load environments. Reliable

design, comprehensive power conditioning and application flexibility make United Power Series CPMs an excellent investment for these and other critical power applications.

## Series CPM Specifications

### kVA Ratings

15-300 kVA

### Input Voltage @ 60 Hz

600, 480 or 208 VAC

### Input Voltage @ 50 Hz

415 or 380 VAC

### Output Voltage @ 60 Hz

208/120 VAC

### Output Voltage @ 50 Hz

415/240 or 380/220 VAC

### Input Voltage Range

+15% to -25%

### Output Voltage Range

±3% of nominal

### Response/Correction Time

<1 Hz typical

### Frequency Range

47-63 Hz

### Harmonic Distortion

<1% added

### Typical Efficiency

97.5%

### Common Mode Noise Attenuation

140 dB

### Transverse Mode Noise Attenuation

40 dB

### Audible Noise

<62 dBA

## Physical Specifications: Series CPM Conditioning Power Module

Cabinet	kVA	Width		Depth		Height		Unit Weight	
		In	Cm	In	Cm	In	Cm	Lb	Kg
CPM1	15	27	68	27	68	62	157	710	321
	30	27	68	27	68	62	157	850	385
CPM2	50	34	86	34	86	69	175	1,305	590
	75	34	86	34	86	69	175	1,455	658
	100	34	86	34	86	69	175	1,575	713
CPM3	125	43.5	110	34	86	69	175	1,855	840
	150	43.5	110	34	86	69	175	2,270	1,027
CPM4	200	68	172	34	86	69	175	2,690	1,217
	225	68	172	34	86	69	175	2,900	1,312
	300	68	172	34	86	69	175	3,220	1,457

## Automatic Bypass Keeps You Up!

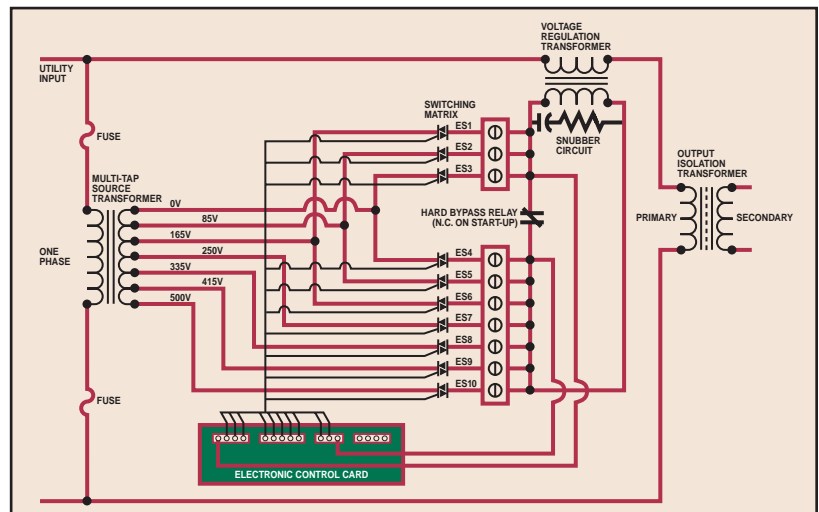
United Power has propelled itself forward in the world of power conditioning technology by designing an automatic uninterrupted bypass circuit into every Series CPM system. United Power uses an ultra-reliable primary power path in its conditioning systems, therefore eliminating the need for full power semiconductors which are the Achilles' heel of conventional "tap switching" devices.

The diagram below illustrates how the Series CPM power conditioning circuit operates. Each phase of our three phase system has a dedicated, electronically controlled, logic card which controls the system's voltage regulation and automatic uninterrupted bypass circuits. This circuitry is interfaced with the system's voltage source transformer taps, which are an integral part of our multi-shielded high isolation transformer.

In the case of most conventional line conditioner, when their system control circuit card or full power switches fail, the entire line conditioner is taken off line, resulting in one thing—downtime. The reliability of the United Power primary power path virtually eliminates this possibility.

## Series CDM: Power Conditioning with Flexible Distribution

Series CDM conditioning distribution modules combine all of the power conditioning features of our conditioning power modules with the distribution and monitoring features of our power distribution modules into one complete system. Conditioning distribution modules are available from 15-300 kVA.



# UNITED POWER

United Power Corporation  
2132 Tomlynn Street, Richmond, VA 23230  
(804) 359-6500 (800) 545-4426  
FAX (804) 359-6659  
www.unitedpowercorp.com

**DELTA**

Product information is subject to change as warranted by manufacturing or engineering processes. United Power reserves the right to make changes, additions or deletions in equipment design and/or components. CPM 2PG 11/98-15K