



### Eight Channel Temperature Data Logger

SmartReader 8 is a data logger for trouble-free multi-point temperature data logging. It can measure up to eight different locations simultaneously using optional temperature probes.

#### Features

- 8 channels
- 10-year battery life
- User-configurable
- Accessible remotely by modem
- Network capable

#### Product Specifications

No. of channels: Eight. (One internal for ambient temperature and seven external for either temperature, resistance, or switch status).

Memory Size: 32 KB.

Common Specifications: See page 6.

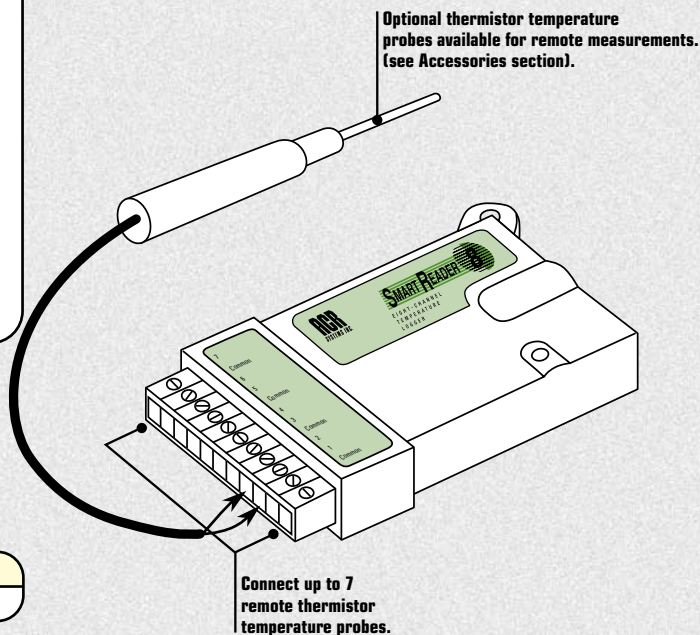
Software Specifications: See page 7.

Remote & Network Communications: See page 34.

Accessories: ACR ET Series Temperature Probe. Any NTC Thermistor Probe.

#### Order Information

MODEL	MEMORY	CATALOG #
SR-008	32 KB	01-0036



Measurement Solutions



### Eight Channel Temperature Data Logger

The SmartReader Plus model 8, eight channel data logger can measure up to eight different locations simultaneously using optional ACR ET Temperature probes.

#### Features

- 12 bit resolution
- 8 channels
- 10-year battery life
- Up to 1.5 MB memory
- User-configurable
- Accessible remotely by modem
- Network capable
- Up to 25 samples per second

#### Product Specifications

No. of Channels: Eight. (One for the internal temperature sensor and seven inputs for measurements of temperature, resistance or switch status).

Memory Sizes: 32 KB, 128 KB and 1.5 MB

Common Specifications: See page 8.

Software Specifications: See page 9.

Remote & Network Communications: See page 34.

Accessories: ACR ET Series Temperature Probe. Any NTC Thermistor Probe.

#### Order Information

MODEL	MEMORY	CATALOG #
SRP-008	32 KB	01-0015
SRP-008-128K	128 KB	01-0129
SRP-008-1.5M	1.5 MB	01-0158

