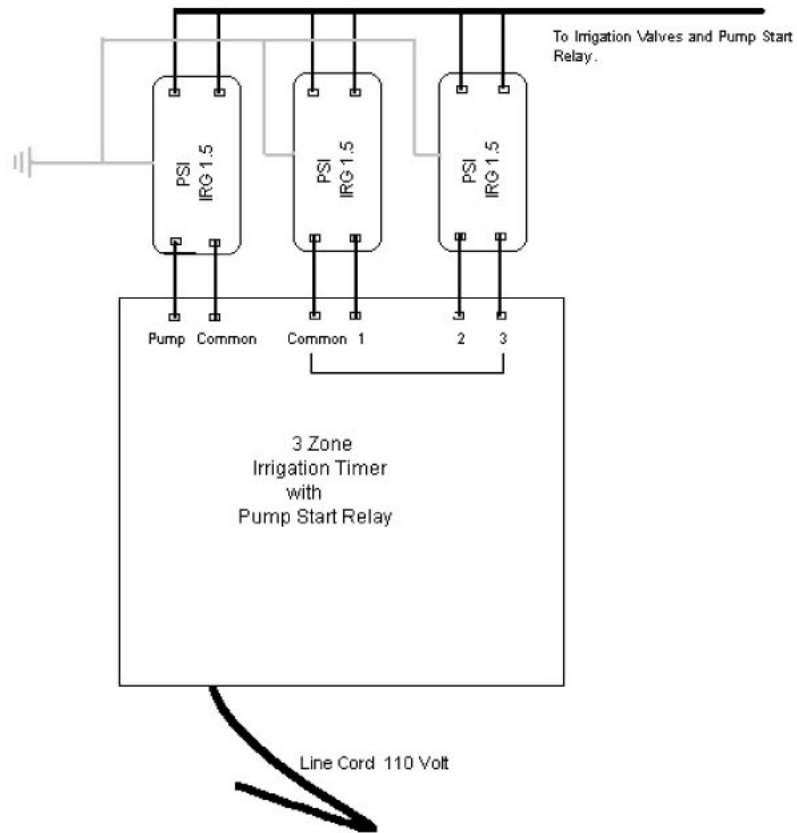


### Typical Irrigation Surge Suppression with Timer Inside

- \* Note: Pump and panel should always be bonded to protect against dangerous ground loops.
- \*\* Note: Zone protectors must always be matched with voltage and max amps of timer.



- \* Note: To gain maximum efficiency of PSI Isolated Loop Protector all electrical components (distribution panel, isolated loop protectors, pump motor and well casing) must be bonded together. This will prevent "back door" damage due to a ground loop (imbalance in ground potential).