

PSITampa XNP-M

A Wall Mounted Surge Protection Device



XNP-M054-120/208-3GY

▶ Power Quality is more important today than ever before and that means not just any surge protector can be relied on to protect your sensitive equipment.

The PSI Tampa XNP-M type SPD has been protecting millions of dollars of telecom and commercial equipment for over 20 years and is the perfect product to protect your sensitive electrical and electronic environments.

The XNP-M protection products are a cost effective solution for any critical location in the facility from high risk sites (Telecom & Petroleum) to the Point of Use equipment like your computers.

When installed with the PowerPro Surge Suppression System, you can count on a front to back facility protection system.

▶ **RECOMMENDED LOCATION**

- Residential Applications
- Commercial Applications
- HVAC
- Cell Sites, Well Pumps / Cat C
- Branch Panels / Cat B
- Point of Use / Cat A

▶ **FEATURES AND BENEFITS**

- Weather-resistant – perfect for outdoor applications
- 4 Modes of Discrete Protection (L-N, N-G)
- 10 Modes of Protection (L-N, L-G, N-G, L-L)
- Green Status indicating Lights per phase
- Individually Fused MOV Technology
- 1-Year Standard Warranty

▶ **STANDARDS MET**

- Safety – ETL Recognized to UL1449 4th Edition
- ANSI/IEEE C62.41, C62.45
- ANSI/NFPA 70 National Electrical Code

▶ **3RD PARTY TESTED**

- Survives 1,000 (C3 6kV / 3kA)

TECHNICAL INFORMATION

▶ **MECHANICAL SPECIFICATIONS**

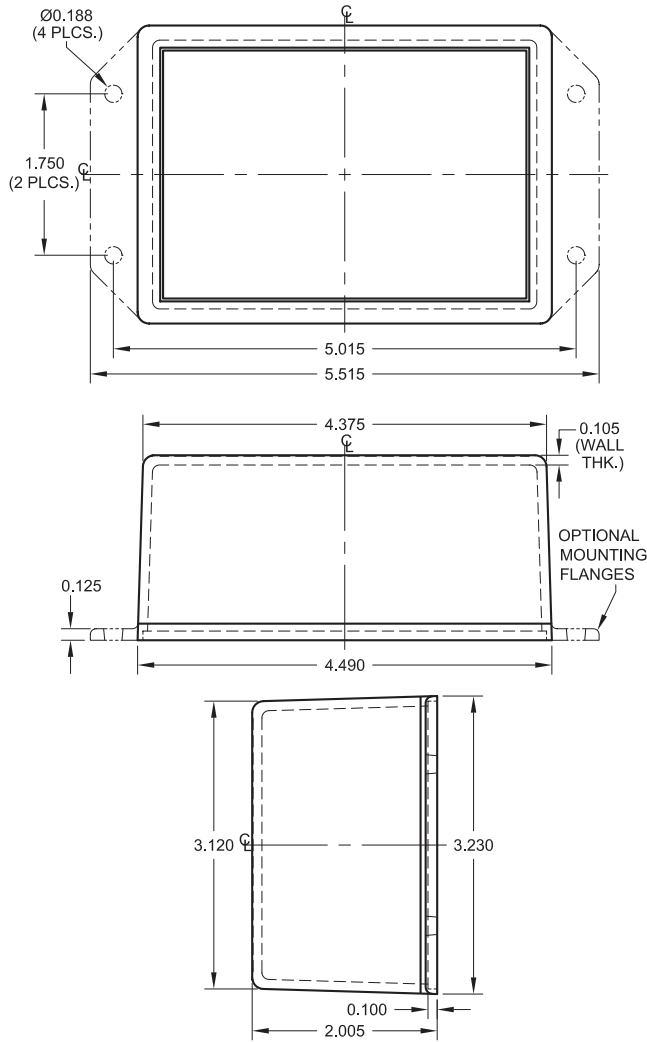
Dimensions	L 4.38" x W 3.13" x H 2.0" <i>(See Drawing)</i>
Weight	1.7 lbs.
Enclosure	NEMA 4X Plastic UL-94 VO
Operating Temp	-40F to +140F -40C to +65C
Non-condensing Humidity	5% to 95%

▶ **ELECTRICAL SPECIFICATIONS**

Connection Method	Parallel
Protection Modes (10 Modes)	L-N, L-G, L-L, N-G.
Pre-wired	18" stranded #10 AWG
Status Indicators	Green LED

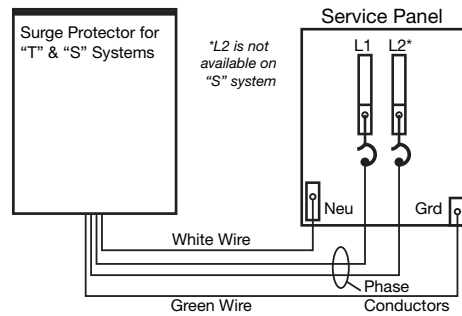
PSITampa XNP-M

DIMENSIONS

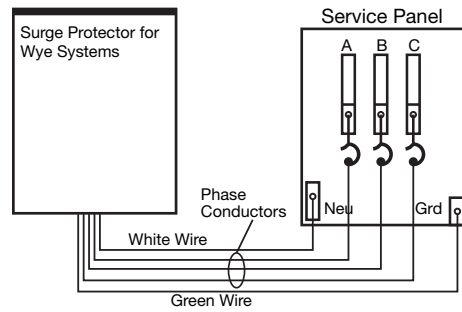


INSTALLATION INSTRUCTIONS

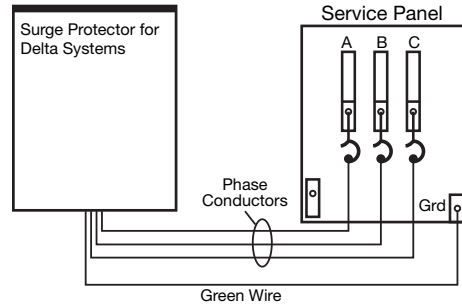
Split Phase 3W + G & Single Phase 2W + G



3 Phase 4W + G, Wye



3 Phase 3W + G, Delta



Model	System Voltage	System Configuration	Protect Mode	MCOV	SVR	VPR
XNP-M054-120-1G	120V	2 Wire + G	L-N	150	500	700
			L-G	300	600	1200
XNP-M054-240-1G	240V	2 Wire + G	L-N	320	800	1000
			L-G	640	1300	1800
XNP-M054-480-1G	480V	2 Wire + G	L-N	550	1500	2500
			L-G	1200	3000	3200
XNP-M054-120/240-2G	120/240	3 Wire + G	L-N	150	500	700
			L-L	300	600	1200
XNP-M054-120/240-3GHD	120/240 HIGH LEG	3 Wire + G	L-N	150/320	500/800	700/1000
			L-L	300/640	600/1300	1000/1800
XNP-M054-240/480-2G	240/480	3 Wire + G	L-N	320	800	1000
			L-L	640	1300	1800
XNP-M054-120/208-3G	120/208	4 Wire + G	L-N	150	500	700
			L-G	300	600	1200
XNP-M054-277/480-3GY	277/480	4 Wire + G	L-N	320	800	1000
			L-G	640	1300	1800
XNP-M054-480-3DG	480 DELTA	3 Wire + G	L-G	550	3000	1800
			L-L	1150	1500	3000

Surge Rating Per Mode 054 = 54kA

Enclosure Type

-P Plastic Enclosure