

PSITampa XNP-M Kelvin Series

Series-Connected Suppression Filter System



XNP-M054-120/240-2G-KS

- ▶ Maximum protection of critical circuits that require the installation of surge protection to be the highest possible standard. The PSI XNP-M type provides just that with a Kelvin connection series design.

Don't sacrifice the maximum possible protection for critical circuits using any other installation method.

The XNP-M Kelvin Series protection products are the electrical circuits that power sensitive and critical equipment.

▶ RECOMMENDED LOCATION

- Process Automation Systems
- Commercial Applications
- HVAC Systems
- Cell Sites
- Robotics
- Pumps
- Motors
- Programmable Logic Controllers
- All critical circuits
- Fire Alarms
- Security Systems
- Access Control Systems
- LED Light Circuits
- Waste Water Lift Station Controls

▶ FEATURES AND BENEFITS

- Series Kelvin Connection
- Water Resistance – Indoor Applications
- All Modes Protected – Two-Wire + Ground Models: L-N, L-G, N-G
- All Modes Protected – Three-Wire + Ground Models: L-N, L-G, L-L, N-G
- Green Status indicating Lights per phase
- Individually Fused MOV Technology
- 5 Year Warranty **See PSI lifetime warranty detail*

▶ STANDARDS MET - SAFETY

Listed by ETL to UL 1449 4th Edition, Type 4 for Type 2 SPD applications, cUL, and UL 1283 / Compliant to IEEE C62.41.1-2002, C62.41.2-2002 and C62.45-2002 / NFPA 70 [NEC], Article 285 / RoHS Compliant / CE, IEC 61643-11-2011 / EMC Directive 2004/108/EC

▶ 3RD PARTY TESTED

- Survives 1,000 (C3 6kV / 3kA)

TECHNICAL INFORMATION

▶ MECHANICAL SPECIFICATIONS

Dimensions	L 5.515" x W 4.75" x H 2.0" <i>(See Drawing)</i>
Weight	2.5 lbs.
Enclosure	NEMA 4X Plastic UL-94 VO
Operating Temp	-40F to +140F -40C to +65C
Non-condensing Humidity	5% to 95%

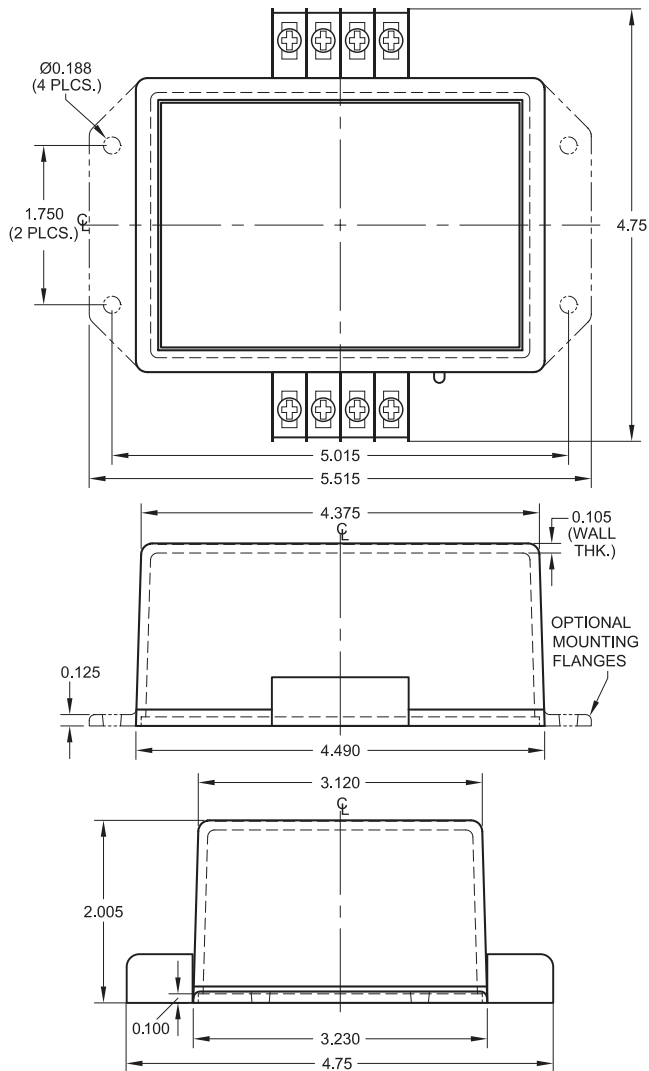
▶ ELECTRICAL SPECIFICATIONS

Electrical Rating	30 Amps
Connection Method	Series
Protection Modes (10 Modes)	L-N, L-G, L-L, N-G.
Pre-wired	Series/Inline Terminal Block
Status Indicators	Green LED

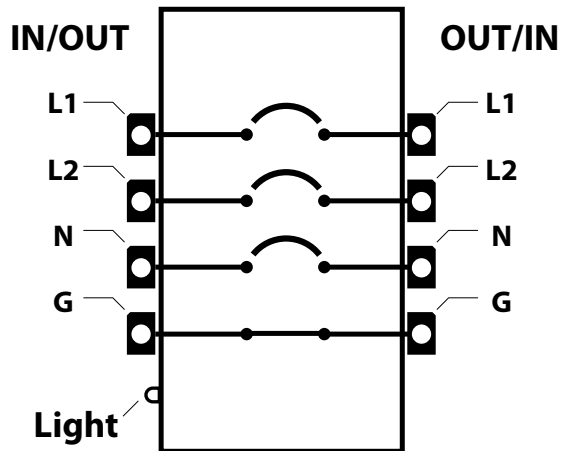
XNP-M-Kelvin: 22.05.22

PSITampa XNP-M Kelvin Series

DIMENSIONS



INSTALLATION INSTRUCTIONS



**Unit requires a 30Amp means of disconnect*
***Noise filter EMI/RFI > -40dB to -3kHz-1MHz*

MODEL	SYSTEM VOLTAGE	SYSTEM CONFIGURATION	PROTECT MODE	MCOV	SVR	VPR
XNP-M054-120-1G-KS	120V	2 Wire + G	L-N	150	500	700
			N-G	150	500	700
			L-G	300	600	1200
XNP-M054-120/240-2G-KS	120/240V	3 Wire + G	L-N	150	500	700
			N-G	150	500	700
			L-G	300	600	1200
XNP-M054-220-1G-KS	220V	2 Wire + G	L-N	320	800	1000
			N-G	320	800	1000
			L-G	640	1300	1800
XNP-M054-220/380-2G-KS	220/380	3 Wire + G	L-N	320	800	100
			N-G	320	800	1000
			L-G	640	1300	1800
XNP-M054-277-1G-KS	277V	2 Wire + G	L-N	320	800	100
			N-G	320	800	1000
			L-G	640	1300	1800
XNP-M054-277/480-2G-KS	277/480	3 Wire + G	L-N	320	800	100
			N-G	320	800	1000
			L-G	640	1300	1800

Surge Rating Per Mode 054 = 54kA

Enclosure Type -P Plastic Enclosure